



## Main Features

- 3MP @20fps, Full HD1080P @30fps,
- Digital WDR
- DC iris
- Micro SD card slot
- Support -20°C ~ 60°C/-4°F ~ 140°F
- Lens optional

ONVIF



## Product Overview

NEXCOM introduces new CS mount box type IP camera offering outstanding 3MP image quality. NCB-311 IP Camera ,available in indoor and outdoor using scenario, are suitable for building /small shop surveillance solution, Digital WDR can overcome variation light condition continue to provide crystal clear image output. It makes IP camera ideal for all kind of extremely working behavior.

### 1080P @ 30 fps

NexCam supports high-performance H.264/MJPEG compression technology and offers extra smooth video at up to 30fps in 1080p. Furthermore, Video ROI [Region Of Interest] function reduce bandwidth and storage requirement, providing users with the best option in bandwidth flexibility and storage efficiency.

### Digital WDR (DWDR)

Digital Wide Dynamic Range is a feature in NCB-311 IP cameras that incorporates techniques for handling a wide range of lighting conditions in a scene which with extremely bright and dark areas , a typical camera would produce an image where objects in the dark areas would hardly be visible. Digital Wide Dynamic Range solves this by applying techniques such as using different exposures for different objects in a scene to enable objects in both bright and dark areas to be visible

### RICH I/O

NexCam's Rich I/O allows the users to have the advantages when connecting essential external devices such as strobe light, audio jack, micro SD card slot, DC 12V & AC 24V in order to achieve the best performance for any critical environments. It also allows the users to use Digital Input and Digital Output for the applications such as alarm system.

## Specifications

### Camera General Information

Image Sensor	1/3" 3MP progressive scan CMOS sensor
Minimum Illumination	B/W 0.01 lux/Color 0.1 lux
Lens	CS mount
Field of View	N/A
Iris Type	DC-Iris
Day and Night	YES (True D/N)
IR Distance	N/A
IR Wavelength	N/A
IR Control	N/A
ICR	YES
WDR	YES (DWDR)
Image Enhance	Brightness, Contrast, Saturation, Sharpness, Backlight compensation, Mirror, Flip, Day/Night, Anti-flicker

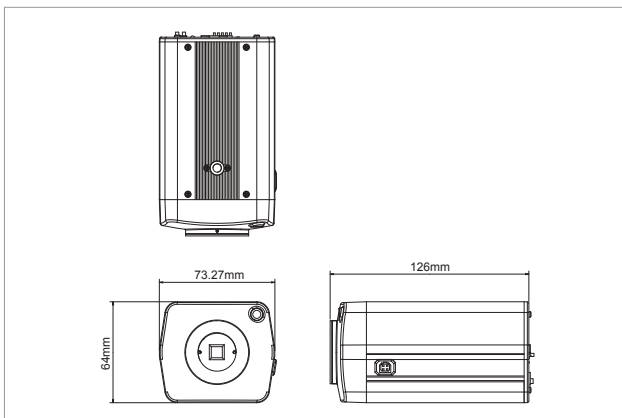
### Video

Video Compression	H.264/M-JPEG
Video Streaming	Triple streaming H.264 Stream 1/H.264 Stream 2/MJPEG Stream 3
Video Resolution	2048x1536 to 320x240
Video Quality	VBR/CBR
Frame Rate	2048x1536 @20 fps 1920x1080 @30 fps 1280x720 @30 fps 720x576 @30 fps 720x480 @30 fps 640x480 @30 fps 320x240 @30 fps

### Audio

Audio Streaming	Two-way
Audio Compression	G.711 8KHz/16bit
Audio Input	Line-in
Audio Output	Line-out

## Dimension Drawing



### Network

Interface	10/100/1000 Mbps Ethernet, RJ-45
Supported Protocols	HTTP, TCP/IP, UDP, RTP, RTSP, FTP, SMTP, DHCP, DNS, DDNS, NTP, uPnP, ONVIF, IPv4/v6
Browser	Internet Explorer (support up to IE 10), Chrome, Firefox, Safari
Security	Multi-level passwords/HTTP encryption

### I/O Connector

Audio in/out Port	3.5 mm phone jack x1
D I/O	Dlx1, DOx1
RS485	N/A
Micro SD Card Slot	YES
RJ45	YES

### Event Management

Event trigger	Motion detection, DI
Notifications	Trigger alarm output, email/FTP and record video to PC or SD card
Post Recording	YES
Pre Recording	YES

### Power

DC/AC	DC12V/AC 24V terminal block
PoE	YES/IEEE 802.3af

### General

Power Consumption	10W max.
Weight	470g
Dimension	126mm (D) x 73.27mm (W) x 64mm (H)
Operating Temp.	-20°C ~ 60°C/-4°F ~ 140°F
Humidity	90%RH (no condensation)
Certification	CE/FCC
Vandal Resistant	N/A
Weather Proof	with housing
Application	SDK available for application development

### Packaging Information

NWT	470g
GWT	TBA
Dimension	TBA

## Ordering Information

- NCB-311 (P/N: 10HB0031100X0)